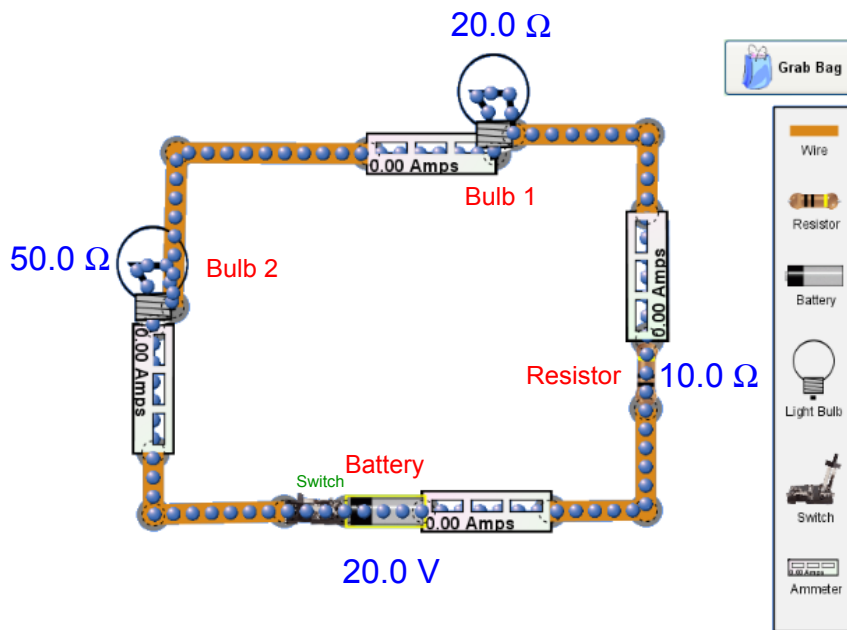


Series Circuits

<http://phet.colorado.edu/sims/circuit-construction-kit/circuit-construction-kit-dc.jnlp>



Measure:

Component	Current (A)	Voltage (V)	Power (W)
Battery			
Resistor			
Bulb 1			
Bulb 2			

Show Ohm's Law Calculations:

Component	Current (A)	Voltage (V)	Power (W)
Battery			
Resistor			
Bulb 1			
Bulb 2			

Create a series circuit that includes four resistors (of any kind) and that meets the following requirements:

- No two resistors may have the same value
- The current everywhere in the circuit must be 0.5 A

Draw your circuit below and label the value of each component.

